

AVT583

HD CCTV 1080P

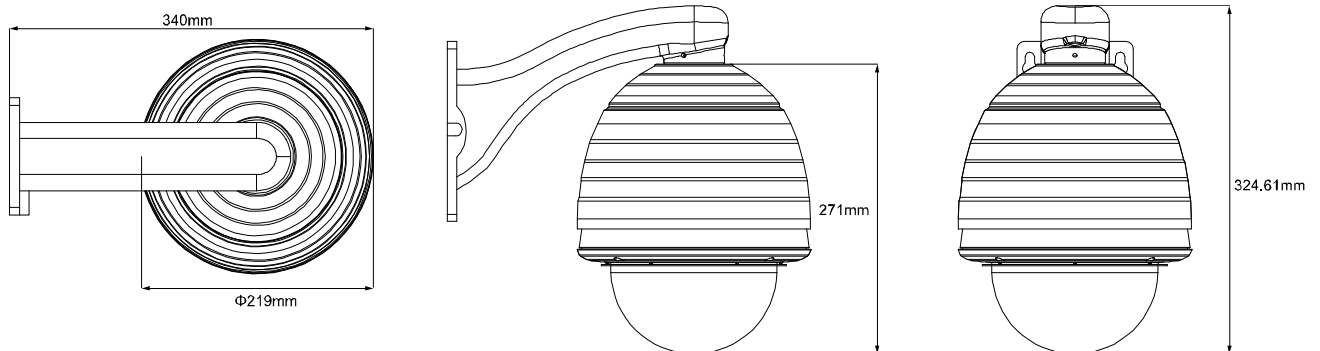
20X IR Speed Dome Camera



● FEATURES

- (1) 1/2.8" CMOS Sensor with 1080P video output
- (2) Zoom lens of f4.7 ~ 94mm with 20x optical zoom and auto focus, suitable for various monitoring environments
- (3) PTZ control for seamless monitoring
 - Capable of 360° pan rotation continuously, allowing quick and smooth action of the camera lens
 - Auto Tracking to follow moving objects
 - Up to 256 preset points & four sequence groups programmable for multiple points monitoring, and auto pan
- (4) External alarm I/O device connection
- (5) WDR to increase image recognizability in overexposure and dark areas

● DIMENSIONS*



*Dimensional tolerance: ±5mm

● SPECIFICATIONS*

■ General		■ General	
Pick-up Element	1/2.8" SONY CMOS image sensor	Operating Temperature	-20°C ~ 50°C
Number of Pixels	1936(H) × 1096(V)	Operating Humidity	90% or less relative humidity
Video Frame Rate	1080P@30fps / 1080P@25fps	Power Source (±10%)	DC12V / 1.5A
Min. Illumination	0.1 Lux / F1.6	Current consumption (±10%)	800mA
S/N Ratio	More than 48dB (AGC OFF)	Power Consumption (±10%)	9.6W
Shutter Speed	1 / 60 (1/50) to 1 / 100,000 sec.	Optional Peripherals	USB Joystick
Lens	f4.7 ~ 94mm / F1.6 (Wide) ~ 3.5(Tele)	■ PTZ Mechanism	
Lens Angle	Horizontal	Pan Range	360° endless
	Vertical	Max. Pan Speed	180°/s
	Diagonal	Tilt Range	-10° ~ 190°
IRIS Mode	Auto	Max. Tilt Speed	100°/s
White Balance	Auto / 2500K / 3200K / 4200K / 5800K / 9500K	Zoom Ratio	20X Optical Zoom
AGC	YES	Max. Zoom Speed	Approx. 3s (Tele ~ Wide)
Sharpness	YES	Preset Points	Up to 256 preset points
WDR	YES (120dB)	Sequence Group	1. Up to four groups can be set
External alarm I/O	YES (1 input / 1 output)		2. One group can include up to 16 preset points
IP Rating	IP66	Auto Tracking	YES

* The specifications are subject to change without notice.